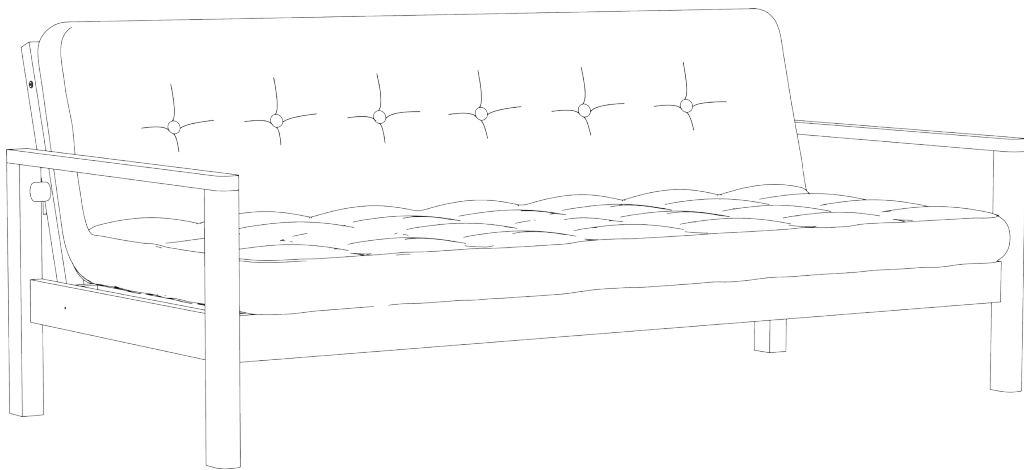


Assembly instruction



# **KNOB**



**karup**

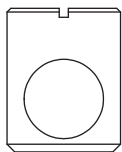
DESIGN

[karupdesign.com](http://karupdesign.com)

# FITTINGS

---

**A X 8**



M10,  $\varnothing$ 15 x  
19 mm

**B X 8**



M6 x 9,  
 $\varnothing$ 10 x  
46 mm

**C X 8**



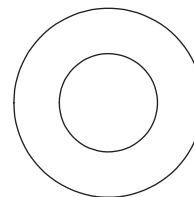
M10 x  
12 mm

**D X 2**



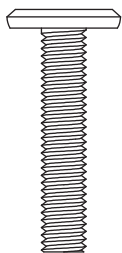
$\varnothing$ 10 x  
60 mm,  
M6

**E X 2**



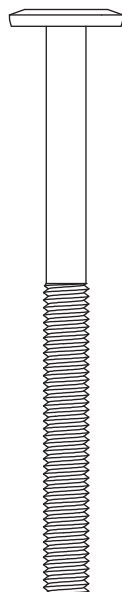
$\varnothing$ 25 x  
3 mm,  
 $\varnothing$ 13

**F X 2**



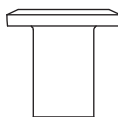
M6 x  
30 mm

**G X 3**



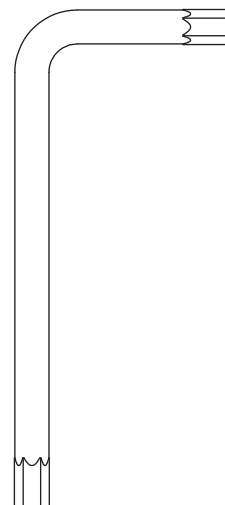
M6 x  
75 mm

**H X 3**

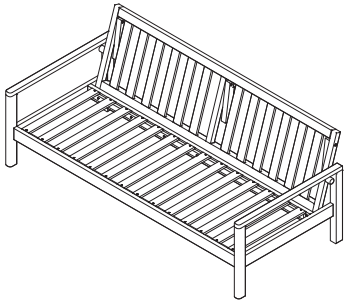


M6,  $\varnothing$ 8 x  
12 mm

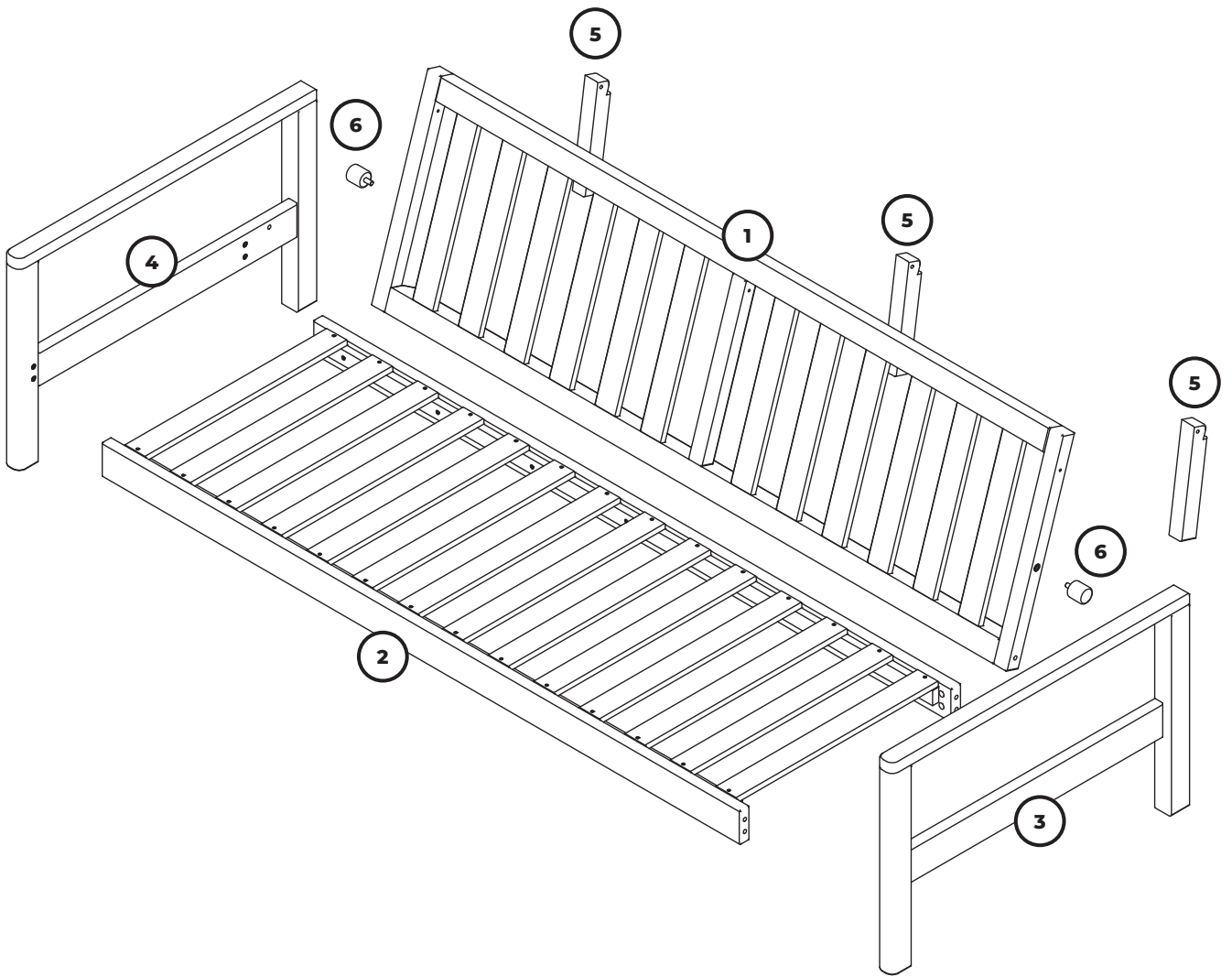
**I X 1**

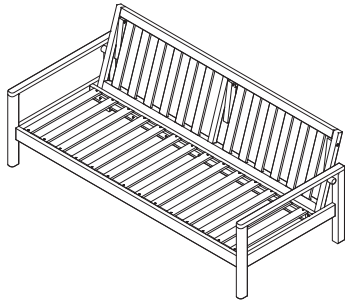


4 mm



- 1 x **1**    3 x **5**
- 1 x **2**    2 x **6**
- 1 x **3**
- 1 x **4**





B X 8



D X 2



E X 2



F X 2



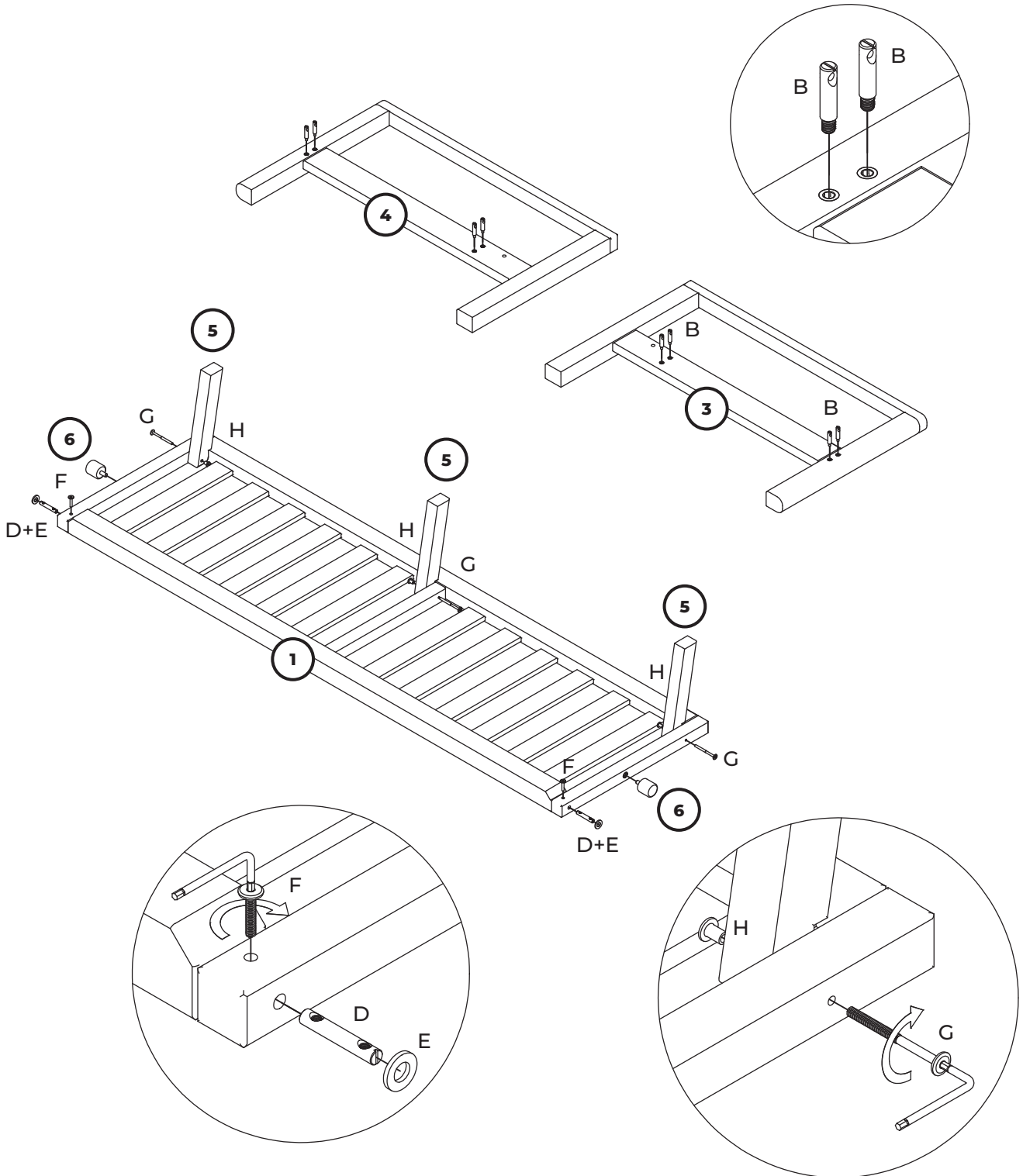
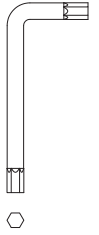
G X 3

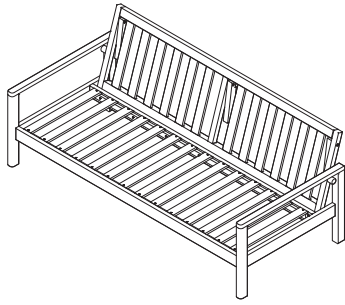


H X 3

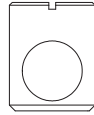


I X 1





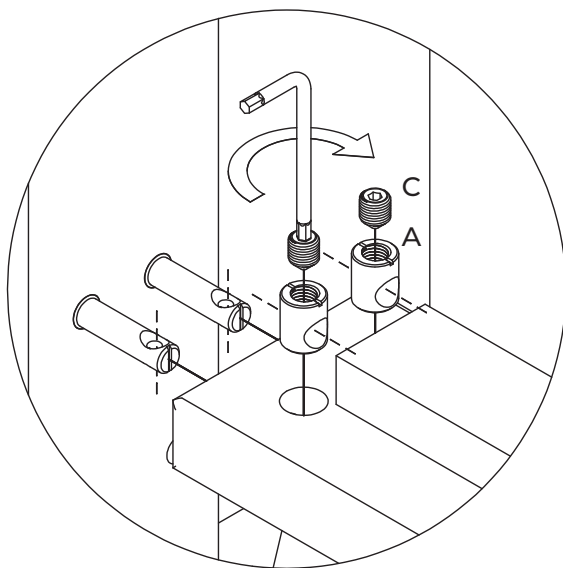
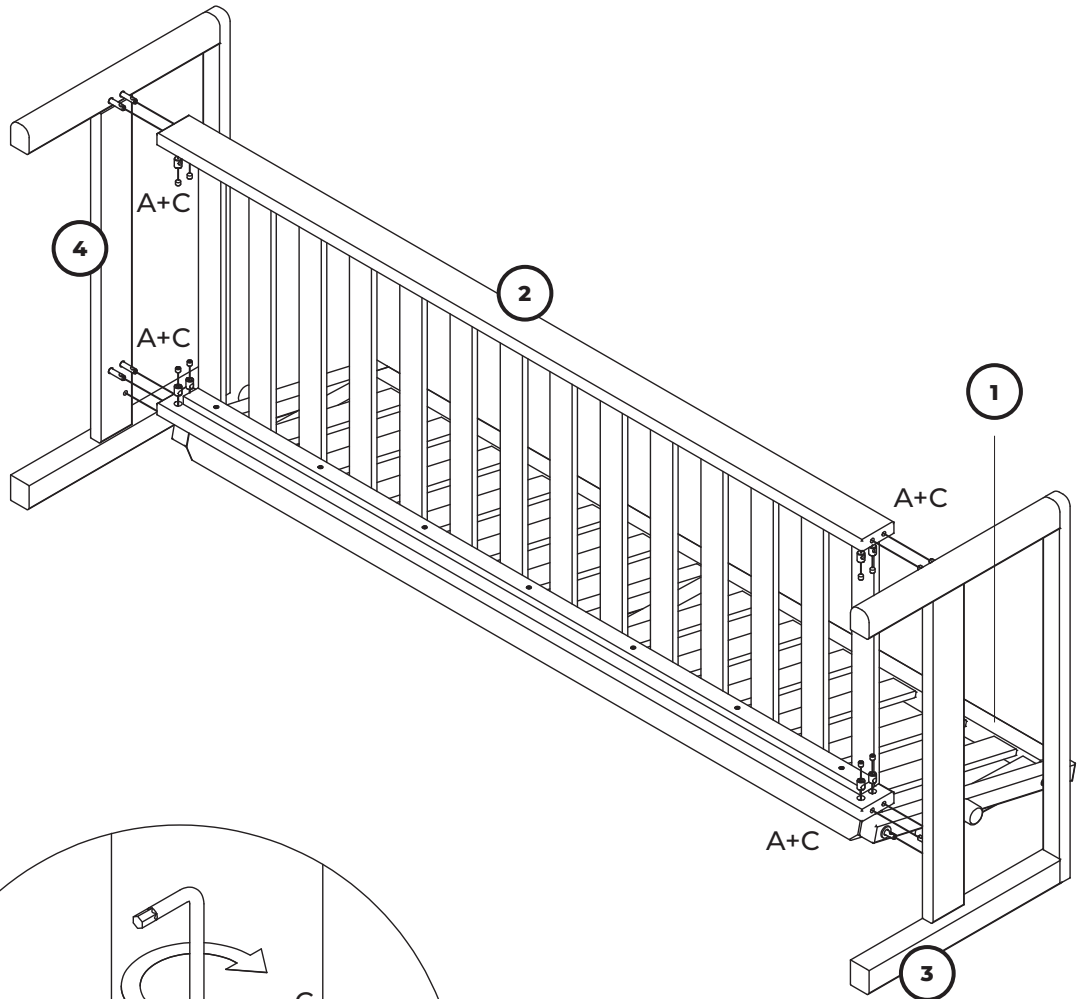
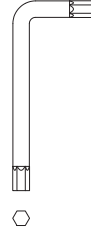
A X 8

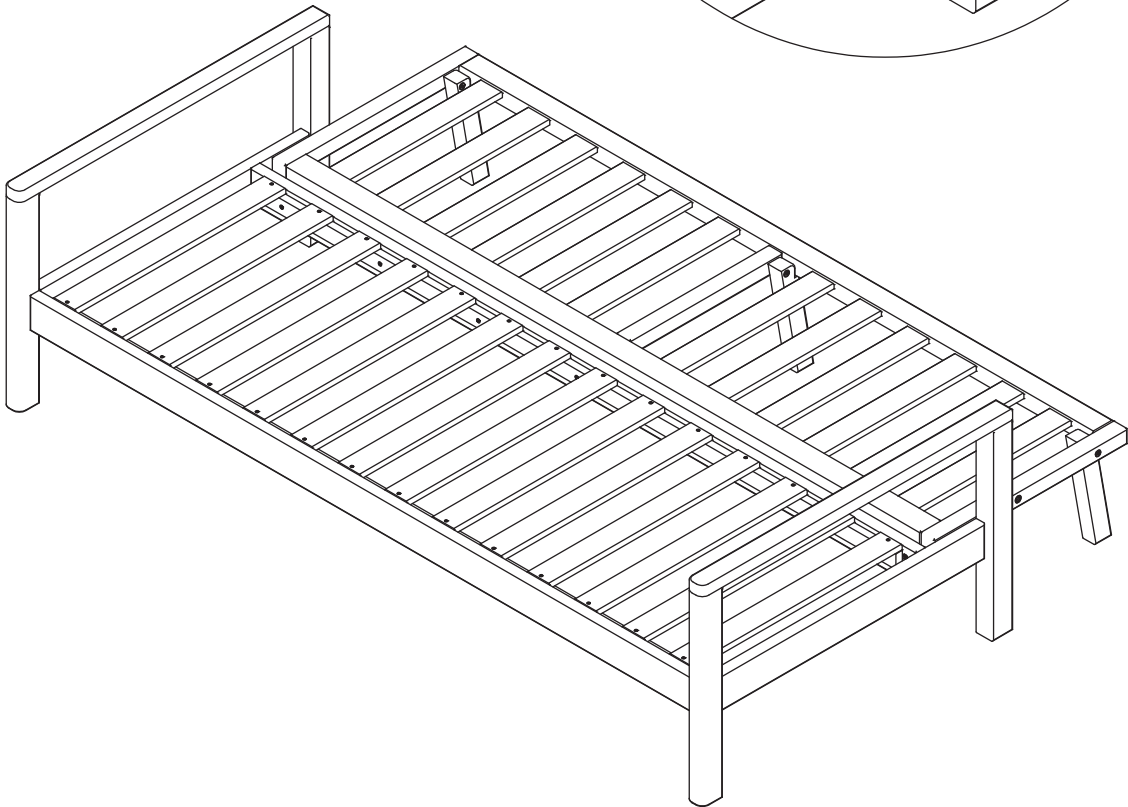
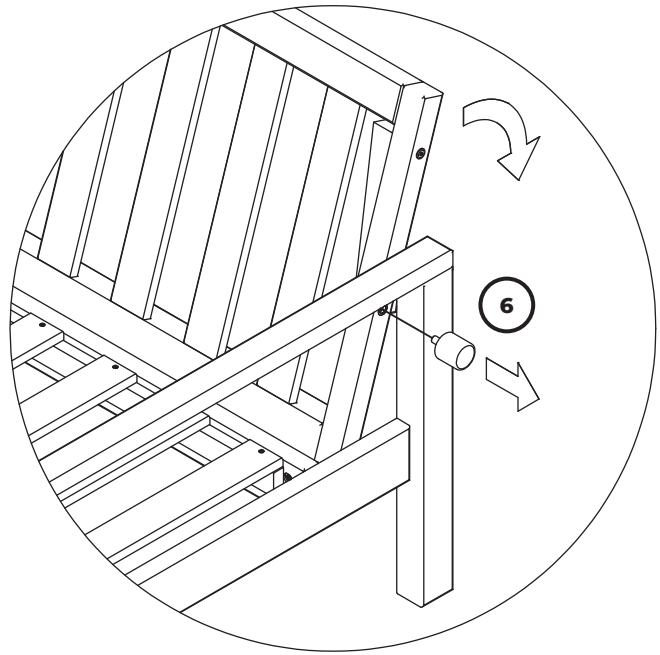
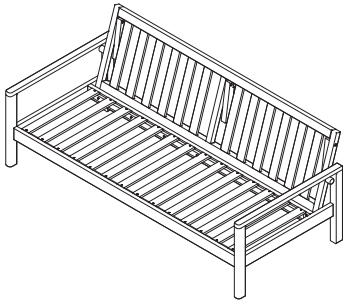


C X 8



I X 1





**karup**

DESIGN

Share your moments **#karupdesign #karuplifestyle**

For product care visit **[karupdesign.com/care](https://www.karupdesign.com/care)**